

# FAN-EX103

External Fan with 4pin Terminal Block Plug and Mounting Bracket, Support Smart Fan



- External Fan Kit
- Easy Maintenance Design
- High Fan Speed For Greater Air Flow
- Support Smart Fan Function



Easy Maintenance



Modular Design

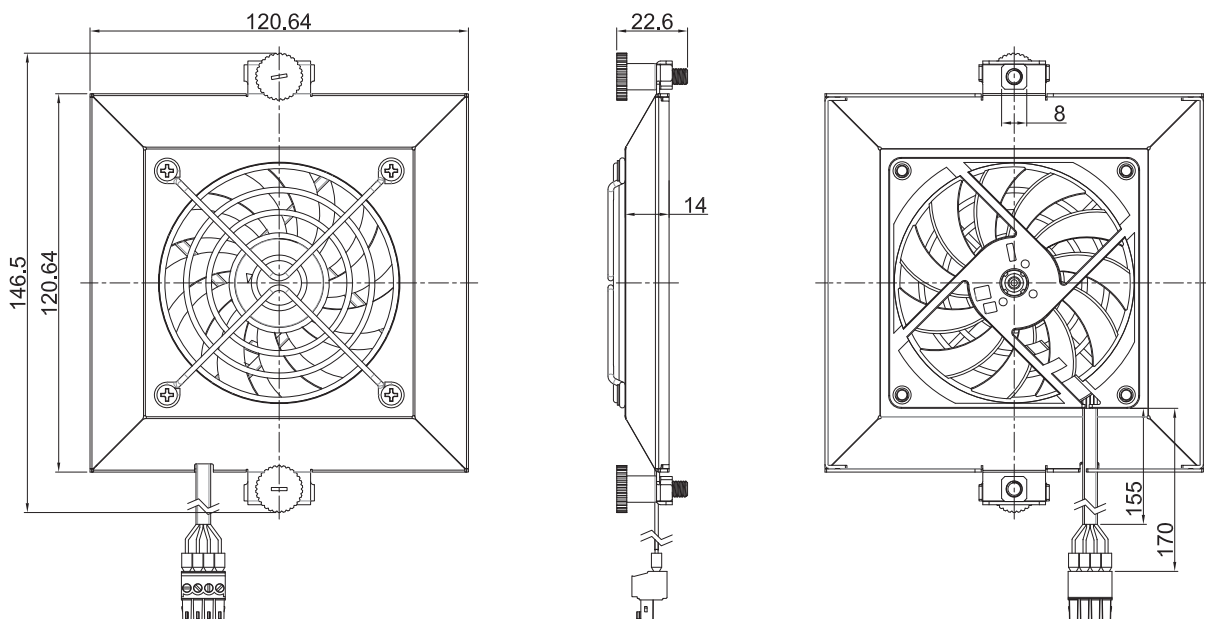


Rugged Design

## Specifications

Speed Reference	4000 RPM
Power Consumption	4.68 WATTS
Noise	35.7 dBA
Rated Voltage	12 VDC
Rated Current	0.35 AMP
Cable Length	17 cm
Interface	1x 4Pin Terminal Block
Dimension ( W x D x H )	120.64 x 22.6 x 146.5 mm

## Dimensions



Unit: mm

## Ordering Information

### Available Models

<b>FAN-EX103</b>	External Fan with 4pin Terminal Block Plug and Mounting Bracket, Support Smart Fan
------------------	--

### Package Check List

- External Fan Kit x1

## Compatible List

Model No.	FAN-EX103
DI-1100	V
DI-1200	V