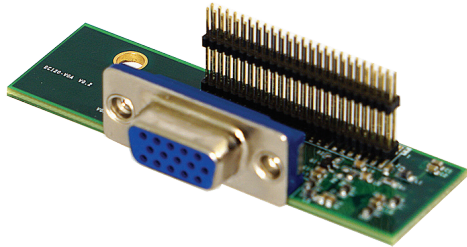
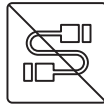


CMI-VGA01

CMI Module with 1x VGA Port



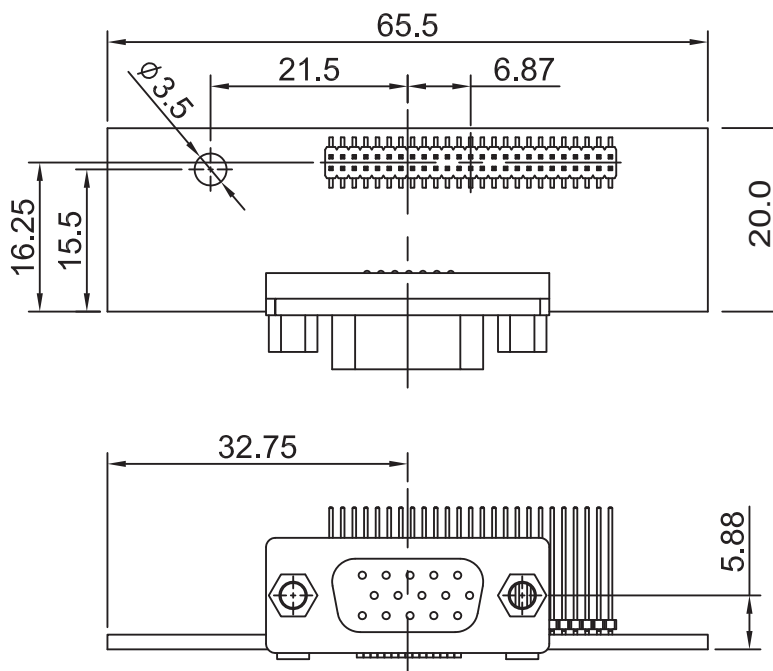
- CMI (Combined Multiple I/O) Technology
- Rugged Design Features: Cableless



Specifications

Interface	CMI (Combined Multiple I/O) Interface
Display Output	1x VGA Connector
Max. Resolution	1920 x 1200 @60Hz
Dimension (W x D x H)	65.5 x 20 mm

Dimensions



Unit: mm

Ordering Information

Available Models

CMI-VGA01	CMI Module with 1x VGA Port
-----------	-----------------------------

Package Check List

- CMI Module x1
- Screw Pack x1

Compatible List

Model No.	CMI-VGA01
DC-1200	V