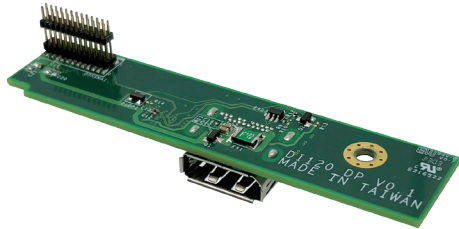


# CMI-DP02

CMI Module with 1x Display Port



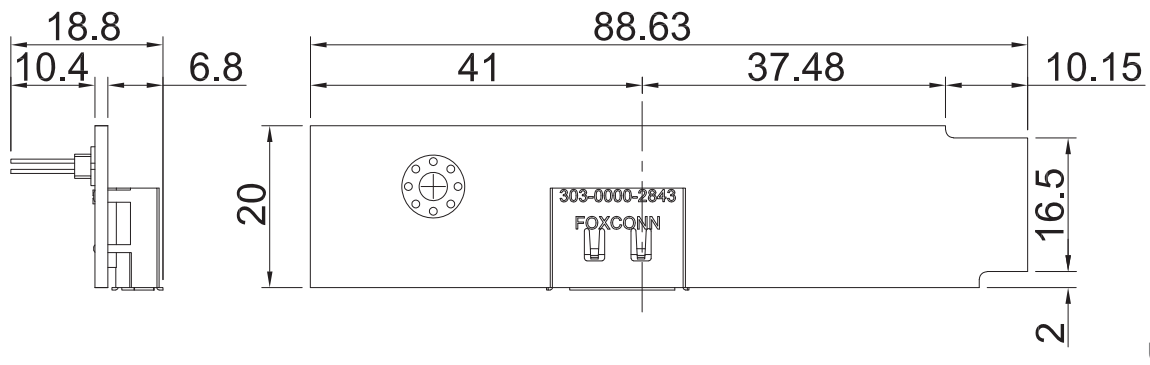
- CMI (Combined Multiple I/O) Technology
- High-resolution support up to 4k x 2k
- Rugged Design Features: Cableless



## Specifications

Interface	• CMI (Combined Multiple I/O) Interface
Display Output	• 1x DisplayPort Connector
Max. Resolution	• 3840 x 2160 @60Hz
Dimension ( W x D x H )	• 88.63 x 20 x 18.8 mm

## Dimensions



Unit: mm

## Ordering Information

### Available Models

Model No.	Description
CMI-DP02-R10	CMI Module with 1x Display Port

### Package Checklist

- CMI Module x1
- Screw Pack x1

## Compatible List

---

Model No.	Product Model
DI Series	DI-1200