

CV-108 Series

8.4" TFT SVGA 4:3 Display Module with Resistive 5-wire Touch
/ Projected Capacitive Touch



CONVERTIBLE DISPLAY MODULE

| CV-100 Series |

Overview

[CONTACT](#)

CV-108 Series is 8.4" LCD display module with resistive 5-wire / projected capacitive touch screen. It offers resolution up to 800x600 (SVGA) and 400 nits brightness. CV-108 Series features flat surface and IP65 dust/waterproof front panel. In addition, designed with aluminum die-cast front frame, it is rugged and reliable for industrial environment. With support for Convertible Display System (CDS) technology, CV-108 Series allows you to configure, upgrade and maintain your Convertible Display System easily.

Key Features

- 8.4" SVGA TFT 4:3 LCD with Resistive 5-wire / Projected Capacitive Touch
- 30,000 hrs LED Backlight Life
- Resolution up to 800 x 600 (SVGA)
- 400 nits Brightness
- Designed with Aluminum Die-cast Front Frame
- IP 65 Compliant Front Panel
- Convertible Display System (CDS) Supported
- Safety: UL, cUL, CB, IEC, EN 62368-1

Certifications

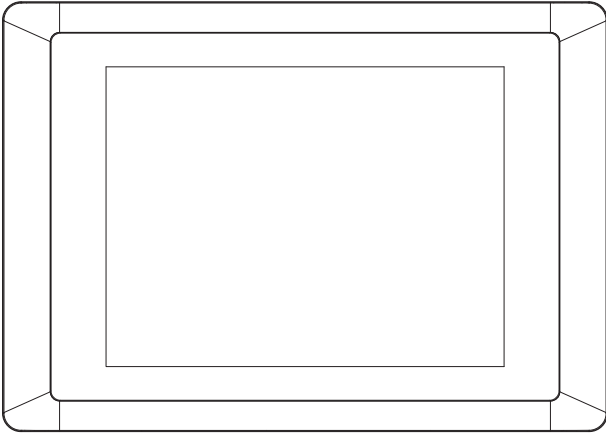


CV-108 Series Specifications

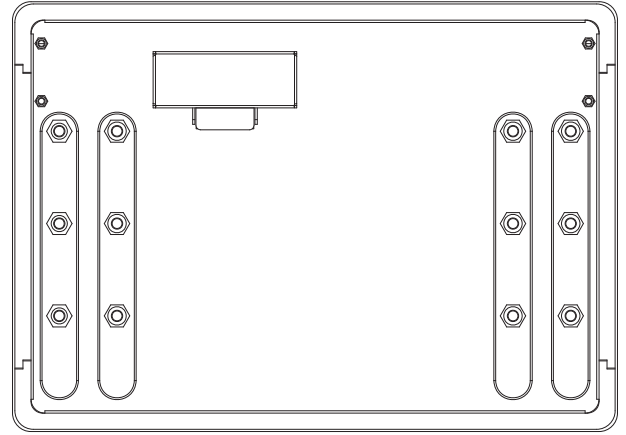
Model Name	CV-108R	CV-108C
Display		
LCD Size	• 8.4" (4:3)	
Max. Resolution	• 800 x 600	
Brightness (cd/m2)	• 400	
Contrast Ratio	• 600 : 1	
LCD Color	• 262K	
Pixel Pitch (mm)	• 0.213 (H) x 0.213 (V)	
Viewing Angle (H-V)	• 150 / 130	
Backlight MTBF	• 30,000 hrs (LED Backlight)	
Touch Screen		
Touch Type	• Resistive 5-wire	• Projected Capacitive
Physical		
Dimension (W x D x H)	• 262 x 186.2 x 56.2 mm	
Weight Information	• 1.62 kg	• 1.56 kg
Mechanical Construction	• Die-Casting Flat Surface	
Environment		
Front Panel Protection	• IP 65 Compliant	
Operating Temperature	• -20°C to 70°C (with Industrial Grade peripherals; Ambient with air flow)	
Storage Temperature	• -30°C to 80°C	• -20°C to 70°C
Relative Humidity	• 90% RH @ 60°C (Non-condensing)	• 85% RH @ 60°C (Non-condensing)
EMC	• CE, UKCA, FCC, ICES-003 Class A	
EMI	<ul style="list-style-type: none"> • CISPR 32 Conducted & Radiated: Class A • EN/BS EN 55032 Conducted & Radiated: Class A • EN/BS EN IEC 61000-3-2 Harmonic current emissions: Class A • EN/BS EN61000-3-3 Voltage fluctuations & flicker • FCC 47 CFR Part 15B, ICES-003 Conducted & Radiated: Class A 	
EMS	<ul style="list-style-type: none"> • EN/IEC 61000-4-2 ESD: Contact: 4 kV; Air: 8 kV • EN/IEC 61000-4-3 RS: 80 MHz to 1000 MHz: 3 V/m • EN/IEC 61000-4-4 EFT: AC Power: 1 kV; DC Power: 0.5 kV; Signal: 0.5 kV • EN/IEC 61000-4-5 Surges: AC Power: 2 kV; Signal: 1 kV • EN/IEC 61000-4-6 CS: 3V • EN/IEC 61000-4-8 PFMF: 50 Hz, 1A/m • EN/IEC 61000-4-11 Voltage Dips & Voltage Interruptions: 0.5 cycles at 50 Hz 	
Safety	• UL, cUL, CB, IEC, EN 62368-1	

External Layout

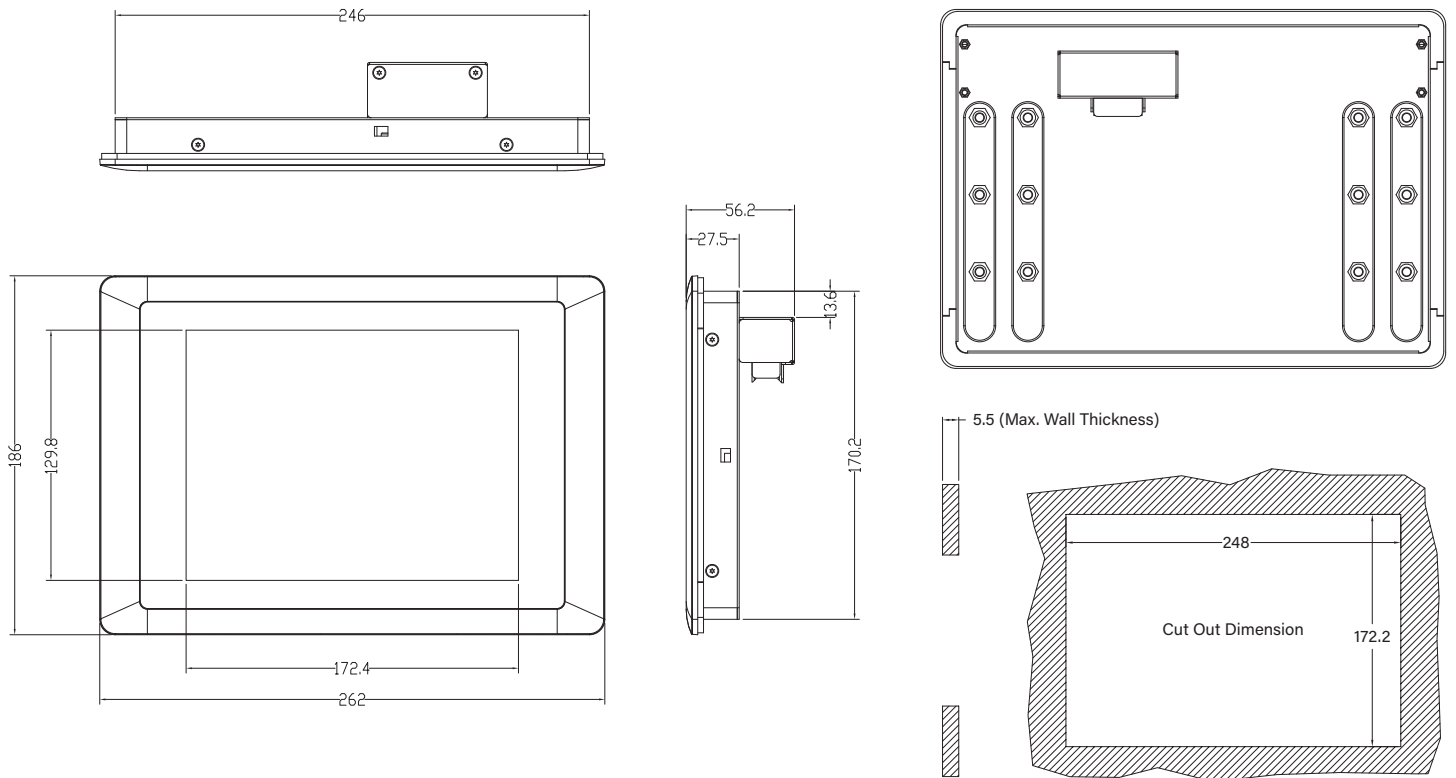
Front



Rear



Dimensions



Unit: mm

Ordering Information

Available Models

Model No.	Description
CV-108R-R10	8.4" TFT SVGA 4:3 Display Module with Resistive 5-wire Touch
CV-108C-R10	8.4" TFT SVGA 4:3 Display Module with Projected Capacitive Touch

Package Checklist

- CV-108 Series Display Module x 1
 - Panel Mounting Kit x 1
-